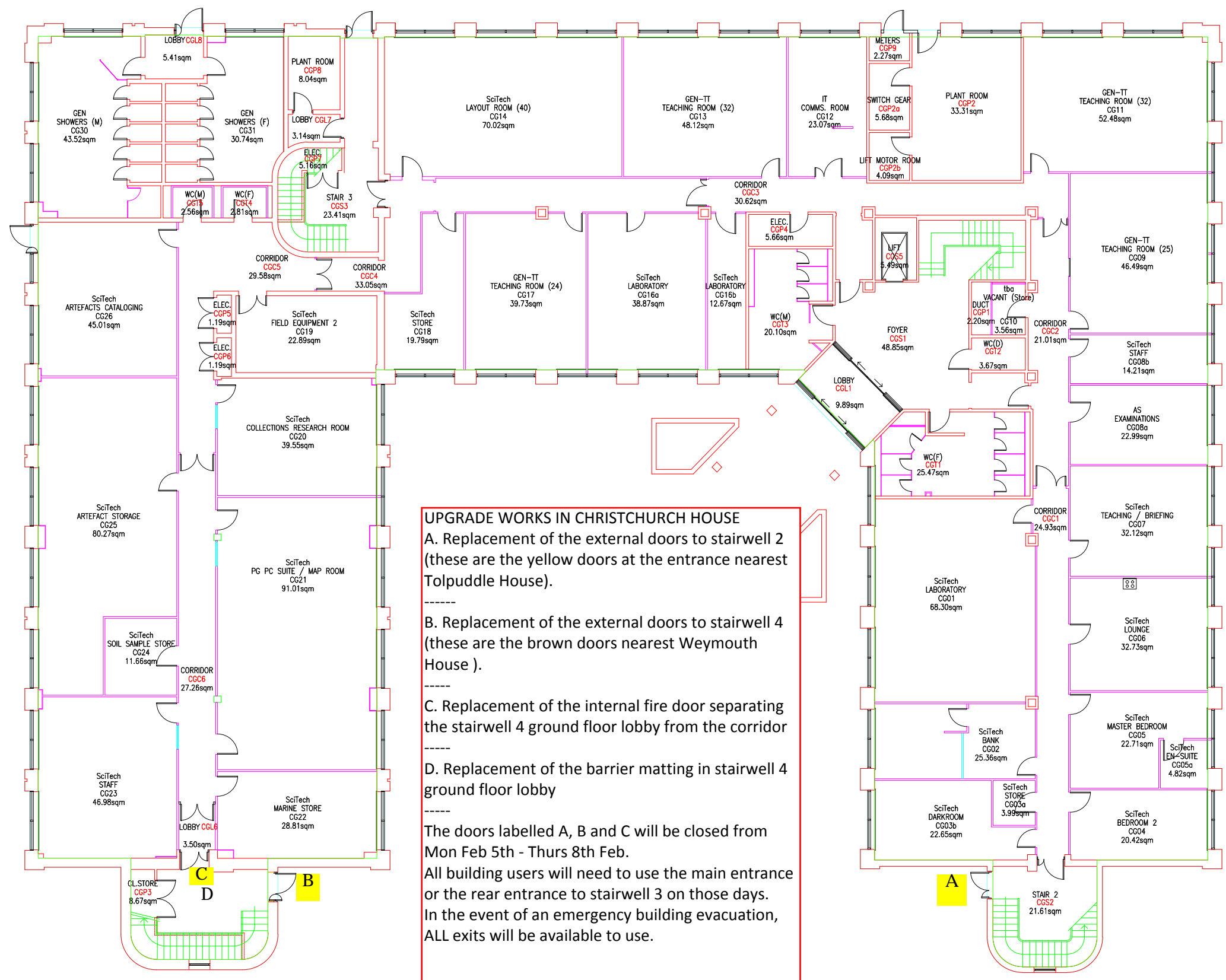


GROSS INTERNAL AREA
1577.34sqm
FOOTPRINT AREA
1676.00sqm

DATE	REVISION
AH 16.9.16	ROOMS CG01-CG08 CONVERTED TO NEW CRIME SCENE FACILITY FOR SCITECH.
	ROOM CC24 SUB-DIVIDED FOR SCITECH - ROOMS CG24 & CG25 RENUMBERED TO SUIT NEW LAYOUT.
AJ 21.12.16	UPDATE FOLLOWING DOOR REPLACEMENT/ ACCESS CONTROL WORKS TO CORRIDOR CGC1 - FOR SCITECH.
AK 9.10.17	CG10 UPDATED TO 'VACANT (Store)'



UPGRADE WORKS IN CHRISTCHURCH HOUSE

A. Replacement of the external doors to stairwell 2 (these are the yellow doors at the entrance nearest Tolpuddle House).

B. Replacement of the external doors to stairwell 4 (these are the brown doors nearest Weymouth House).

C. Replacement of the internal fire door separating the stairwell 4 ground floor lobby from the corridor

D. Replacement of the barrier matting in stairwell 4 ground floor lobby

The doors labelled A, B and C will be closed from Mon Feb 5th - Thurs 8th Feb.
All building users will need to use the main entrance or the rear entrance to stairwell 3 on those days.
In the event of an emergency building evacuation, ALL exits will be available to use.



17/18 ISSUE

GROUND FLOOR PLAN

CHRISTCHURCH HOUSE

CH/1AK

SCALE 1:200 at A3
NOVEMBER 1993

